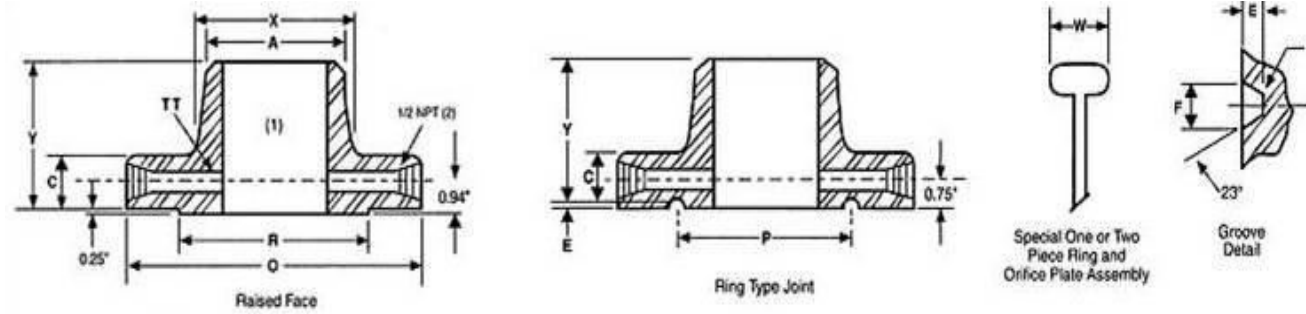


ANSI/ASME B16.36 CLASS 1500 WELDNECK ORIFICE FLANGES



Nominal Pipe Size		O.D. Flange	Thk. Of Flange Min	Diameter of Raised Face	Diam. Of Hub	Hub Diam. Chamfer of W.N.	Length Hub	Drilling					Ring Type Joint					
								Diam. of Pressure Connection	Diam. of Bolt Circle	Diam. of Bolt Holes	Number of Bolts	Diam. of Bolt	Grove #	Pitch Dia	Groove Depth	Groove Width	Radius at Bottom	Spec Oval RH
NPS	O	C	R	X	A	Y	TT						P	E	F	r max	W	
in	1	5.88	1.5	2	2.06	1.32	3.25	1/4	4	1	4	7/8	R16	2	0.25	0.344	0.03	1
mm	25	149.4	38.1	50.8	52.3	33.5	82.6	6.4	101.6	25.4		22.2		50.8	6.35	8.738	0.8	25.4
in	1 1/2	7	1.5	2.88	2.75	1.9	3.5	1/4	4.88	1.12	4	1	R20	2.688	0.25	0.344	0.03	1
mm	40	177.8	38.1	73.2	69.9	48.3	88.9	6.4	124	28.4		25.4		68.275	6.35	8.738	0.8	25.4
in	2	8.5	1.5	3.62	4.12	2.38	4	1/4	6.5	1	8	7/8	R24	3.75	0.312	0.469	0.03	1.06
mm	50	215.9	38.1	91.9	104.6	60.5	101.6	6.4	165.1	25.4		22.2		95.25	7.925	11.913	0.8	26.9
in	2 1/2	9.62	1.62	4.12	4.88	2.88	4.12	1/4	7.5	1.12	8	1	R27	4.25	0.312	0.469	0.03	1.06
mm	65	244.3	41.1	104.6	124	73.2	104.6	6.4	190.5	28.4		25.4		107.95	7.925	11.913	0.8	26.9
in	3	10.5	1.88	5	5.25	3.5	4.62	3/8	8	1.25	8	1 1/8	R35	5.375	0.312	0.469	0.03	1.06
mm	80	266.7	47.8	127	133.4	88.9	117.3	9.5	203.2	31.8		28.6		136.53	7.925	11.913	0.8	26.9
in	4	12.25	2.12	6.19	6.38	4.5	4.88	1/2	9.5	1.38	8	1 1/4	R39	6.375	0.312	0.469	0.03	1.06
mm	100	311.2	53.8	157.2	162.1	114.3	124	12.7	241.3	35.1		31.8		161.93	7.925	11.913	0.8	26.9
in	6	15.5	3.25	8.5	9	6.63	6.75	1/2	12.5	1.5	12	1 3/8	R46	8.312	0.375	0.531	0.06	1.12
mm	150	393.7	82.6	215.9	228.6	168.4	171.5	12.7	317.5	38.1		34.9		211.13	9.525	13.487	1.5	28.4
in	8	19	3.62	10.62	11.5	8.63	8.38	1/2	15.5	1.75	12	1 5/8						
mm	200	482.6	91.9	269.7	292.1	219.2	212.9	12.7	393.7	44.5		41.3						
in	10	23	4.25	12.75	14.5	10.75	10	1/2	19	2	12	1 7/8						
mm	250	584.2	108	323.9	368.3	273.1	254	12.7	482.6	50.8		47 3/5						
in	12	26.5	4.88	15	17.75	12.75	11.12	1/2	22.5	2.12	16	2						
mm	300	673.1	124	381	450.9	323.9	282.4	12.7	571.5	53.8		50 4/5						
in	14	29.5	5.25	16.25	19.5	14	11.75	1/2	25	2.38	16	2 1/4						
mm	350	749.3	133.4	412.8	495.3	355.6	298.5	12.7	635	60.5		57.2						
in	16	32.5	5.75	18.5	21.75	16	12.25	1/2	27.8	2.6	16	2 1/2						
mm	400	825.5	146.1	469.9	552.1	406.4	311.2	12.7	704.9	66.5		63.5						
in	18	36	6.38	21	23.5	18	12.88	1/2	30.5	2.88	16	2 3/4						
mm	450	914.4	162.1	533.4	596.9	457.2	327.2	12.7	774.7	73.2		69.9						
in	20	38.75	7	23	25.25	20	14	1/2	32.75	3.12	16	3						
mm	500	984.3	177.8	584.2	641.4	508	355.6	12.7	831.9	79.2		76.2						
in	24	46	8	27.25	30	24	16	1/2	39	3.62	16	3 1/2						
mm	600	1168.4	203.2	692.2	762	609.6	406.4	12.7	990.6	91.9		88.9						